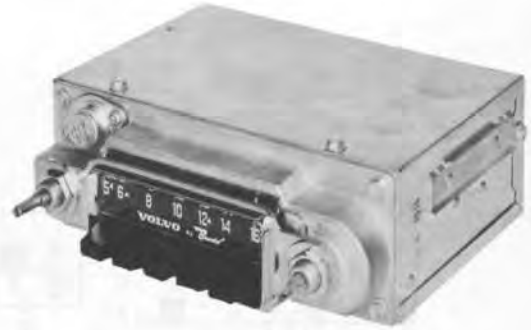




TRADE NAME : Volvo Model 3BN (279958/59/60)
 SUPPLIER : The Bendix Corp., Bendix Radio Div.
 Baltimore 4, Maryland
 TYPE SET : 6 Transistor AM Receiver
 POWER SUPPLY : 12 Volt Storage Battery
 RATING : .74 Amp @ 12.6 Volts DC
 TUNING RANGE : BROADCAST 540-1615 KC



VOLVO MODEL 3BN

ALIGNMENT INSTRUCTIONS

Check for specified source voltage.

Use only enough generator output to provide a usable indication.

Suggested Alignment Tools: A1 thru A4... GENERAL CEMENT #8606, 8606L, 8869
 WALSCO #2543, 2544, 2588
 A5, A6, A7... GENERAL CEMENT #8290, 8868, 9087
 WALSCO #2525, 2528, 2587
 A8, A9, A10... GENERAL CEMENT #5009, 8728A, 8987
 WALSCO #2531X, 2536

	SIGNAL GENERATOR COUPLING	SIGNAL GENERATOR FREQUENCY	RADIO DIAL SETTING	INDICATOR	ADJUST	REMARKS
1.	High side thru .1mfid to point Δ , low side to ground.	262.5KC (400v Mod.)	High Freq. End Stop.	Output Meter across voice coil.	A1, A2, A3, A4	Adjust for maximum.
2.	Thru dummy (Fig. 1) to antenna receptacle.	1615KC	"	"	A5, A6, A7	"
Step 3 is not necessary unless tuner has been tampered with or associated components have been replaced. IF necessary, back tuning cores (A8, A9, A10) out of coils but not out of forms. Repeat step 2.						
3.	Thru dummy (Fig. 1) to antenna receptacle.	1000KC	Tune to Signal.	Output Meter across voice coil.	A8, A9, A10	Adjust for maximum. Repeat steps 2 & 3 until no further improvement is noted.

With radio installed in car and antenna fully extended, tune in a weak station near 1400KC and adjust A7 for maximum output.

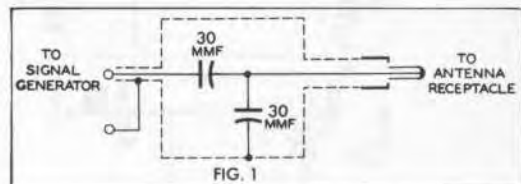
REMOVAL INSTRUCTIONS

RADIO

1. Pull off knobs.
2. Remove 5/8" nuts from control bushings.
3. Disconnect speaker leads, antenna lead, and "A" lead at fuse holder.
4. Remove 7/16" nut holding rear of radio.
5. Remove radio from under instrument panel.

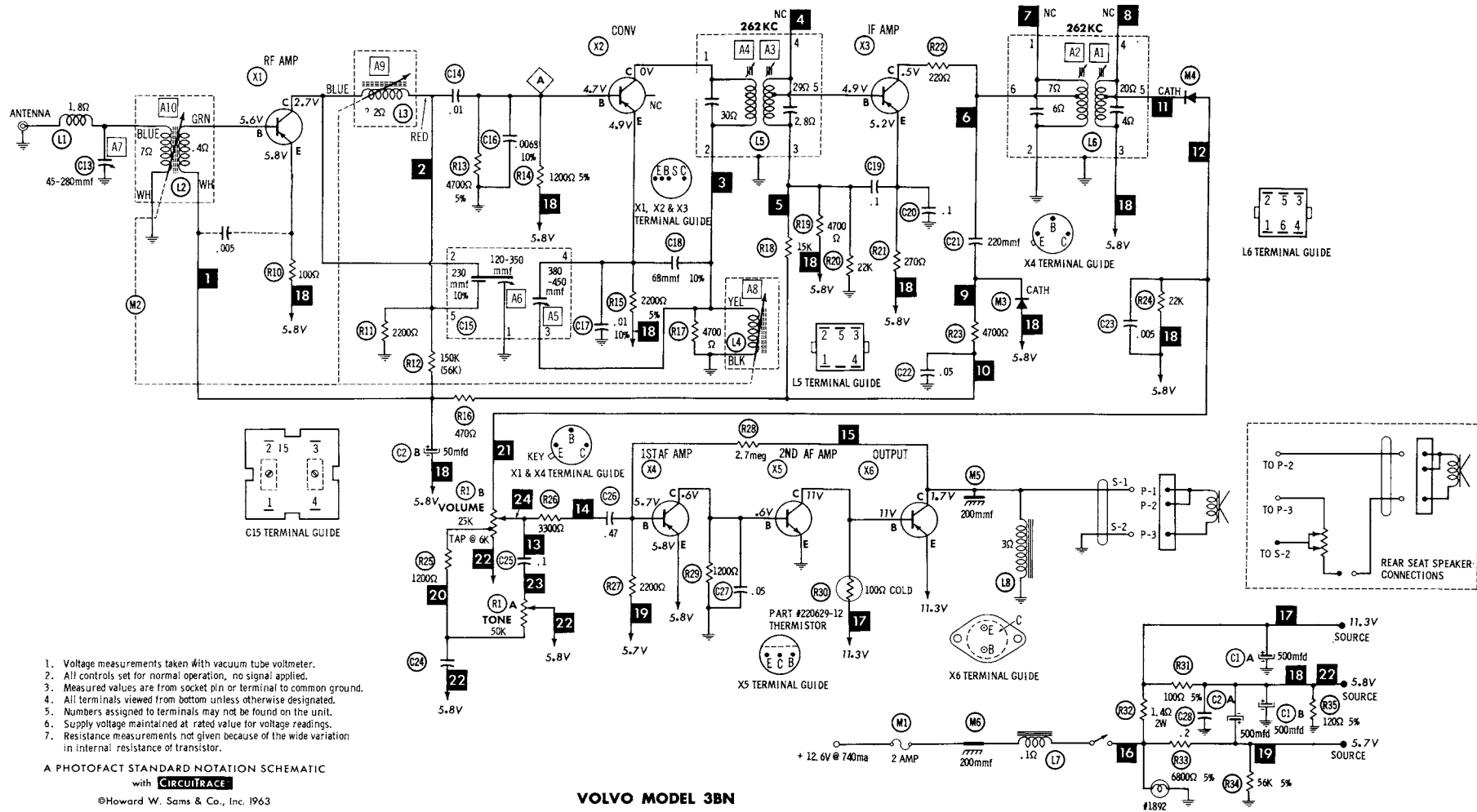
SPEAKER

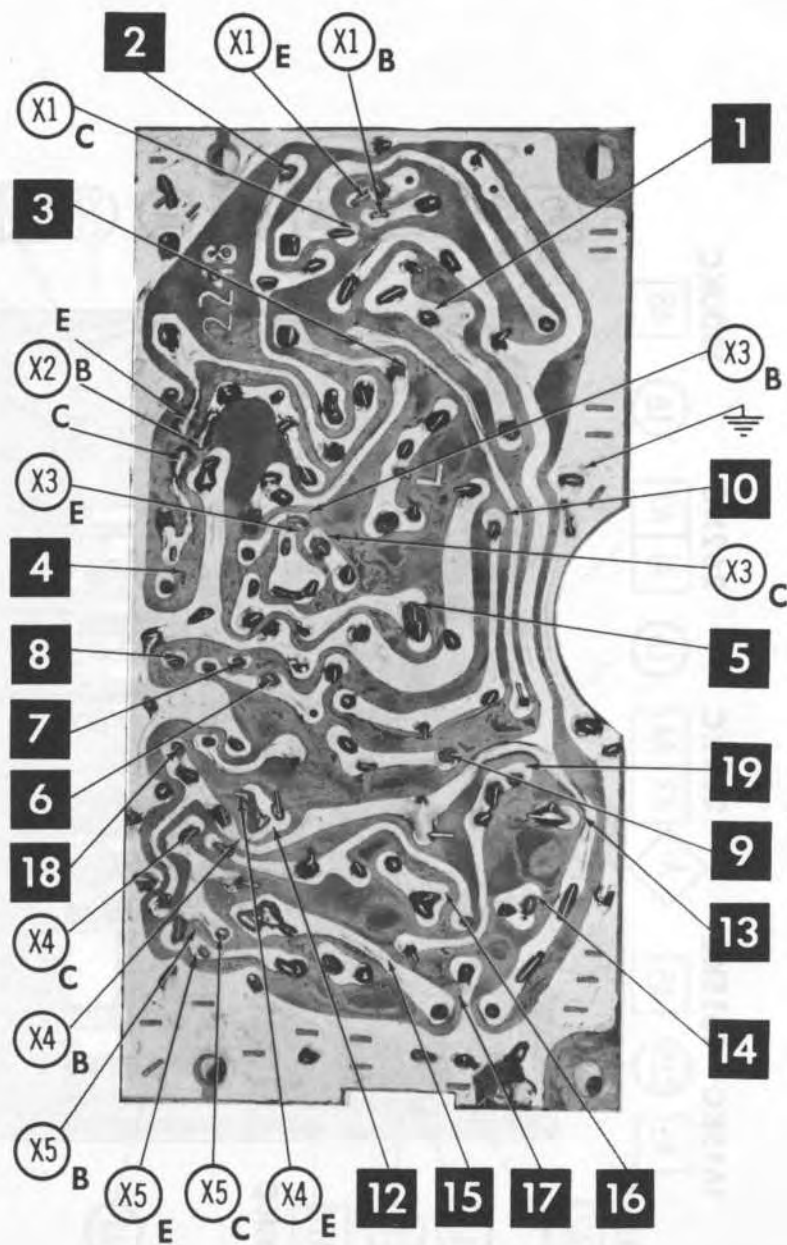
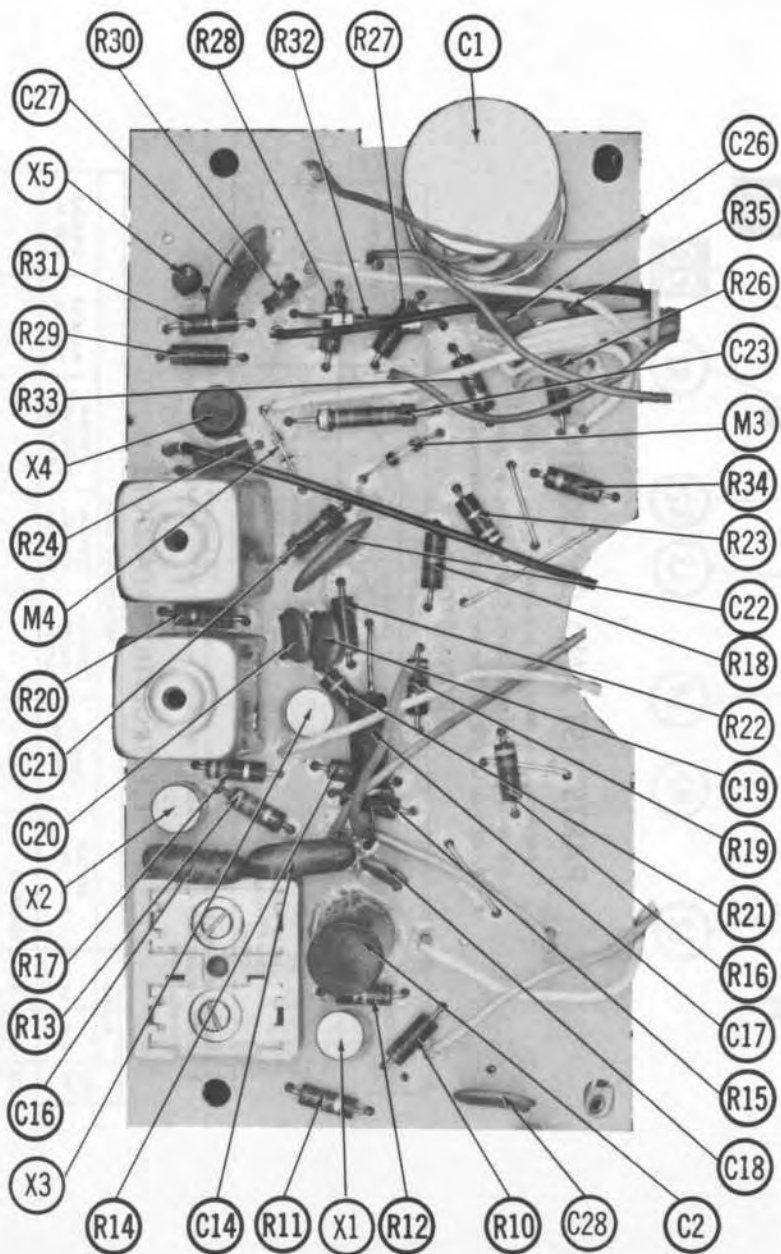
1. Remove four 5/16" nuts from speaker mounting.
2. Remove speaker.

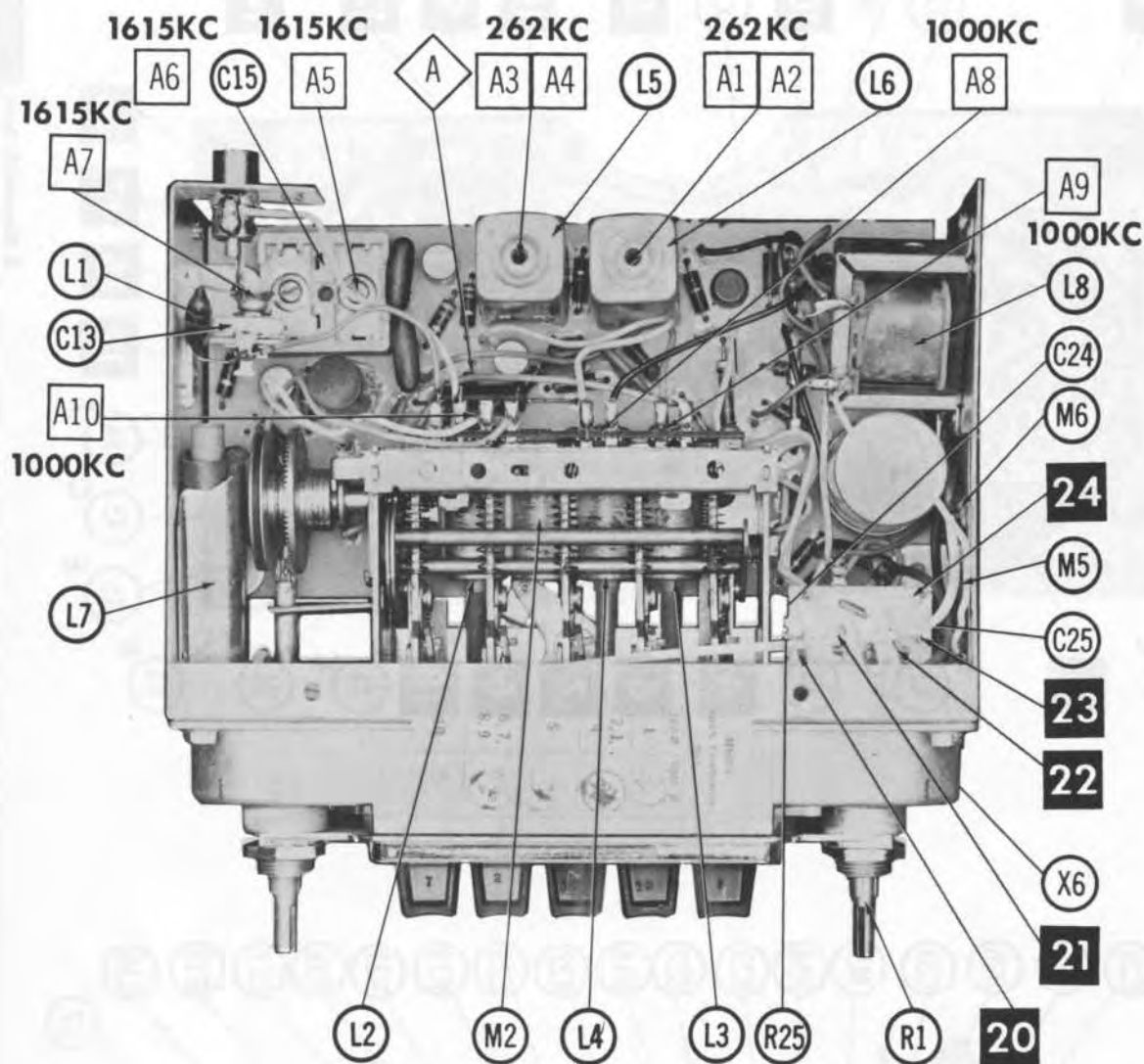


PUSH-BUTTON ADJUSTMENT

1. Pull button out.
2. Tune manually to desired station.
3. Press button in firmly.
4. Repeat for remaining buttons.







PARTS LIST AND DESCRIPTION

Replacement parts shown may be superseded by the availability of newly introduced replacements. Have your local distributor check Sams COUNTER FACTS for the most up-to-date replacement.

TRANSISTORS

ITEM No.	ORIG. TYPE	USE	REPLACEMENT DATA			NOTES	BENDIX Part. No.
			DELCO PART No.	GENERAL ELECTRIC PART No.	RCA PART No.		
X1		RF Amp.	DS-25	GE-1	2N1637	PNP	2091241-1 ①
X2		Conv.	DS-25	GE-1	2N1639	PNP	2091241-13 ②
X3		IF	DS-25	GE-1	2N1638	PNP	2091241-3 ③
X4		1st AF Amp.	DS-26	GE-2	2N591	PNP	2090924-8
X5		2nd AF Amp.	DS-44	GE-8		PNP	2092609-1
X6		Output	DS-520	GE-3	2N176	PNP ④	2091859-8

① Alternate Part #2091241-15

② Alternate Part #2091241-2

③ Alternate Part #2091241-14

④ When replacing apply silicone grease to both sides of insulator. Tighten mounting screws securely. Check bias adjustment.

ELECTROLYTIC CAPACITORS

ITEM No.	RATING		REPLACEMENT DATA						
	CAP.	VOLT.	BENDIX PART No.	AEROVOX PART No.	CORNELL-DUBILIER PART No.	GENERAL ELECTRIC PART No.	GENERAL INSTRUMENT PART No.	MALLORY PART No.	SPRAGUE PART No.
C1A	500	16	220353-30						
B	500	8							
C2A	500	3	2092246-1	BCD3X50050					
B	50	3					ATMT3001	PET-2160	TE1068&TE1058

PARTS LIST AND DESCRIPTION (CONTINUED)

FIXED CAPACITORS

ITEM No.	RATING	REMARKS	REPLACEMENT DATA					
			AEROVOX PART No.	CENTRALAB PART No.	CORNELL-DUBILIER PART No.	ELMENCO PART No.	MALLORY PART No.	SPRAGUE PART No.
C13	5-80	#2091221-7	BE2S1	DM-103	WMFIS1	IDP-1-103	GEM-211	2TM-S10
C14	.01 100V							
C15A	230	10% #210902-23	P288N-0068	CF-822	WMFID68	IDP-1-682		
C15B	120-350							
C15C	380-450	10% #2090207-45	N750-DI68	DTN-68	C10Q68U	CCTN-680	CN7-468	10TCU-Q68
C16	.0068 100V							
C17	.0082 100V	10% #2090207-45	TTD-1	DTN-68	H6		TA-010	TG-P10
C18	68 N750							
C19	.1 10V	10% #2090207-45	TTD-1	CK-104	H6		TA-010	TG-P10
C20	.1 10V							
C21	220	10% #2090207-45	SI220	D6-221	LA10T22-S3	CCD-221	GP322	10TS-T22
C22	.05 100V							
C23	.005	10% #2090207-45	TTD-05	CK-503	H5	CCD-502	TA-150	TG-S50
C24	.2 10V							
C25	.1 10V	10% #2090207-45	SI5000	D6-502	LA10D5-C4	CCD-502	GP250	10TS-D50
C26	.47 3V							
C27	.05 100V	10% #2090207-45	TTD-1	UK10-204	HCC10224Z		TA-010	HY325
C28	.2 10V							
			TTD-05	UK10-404	HCC10474Z		TA-010	HY-330
				UK10-503	H5		TA-150	TG-S50
				UK10-204	HCC10224Z			HY325

Bendix Part Number

CONTROLS

All wattages 1/2 watt, or less, unless otherwise listed.

ITEM No.	USE	RESISTANCE	REPLACEMENT DATA				
			BENDIX PART No.	CENTRALAB PART No.	CLAROSTAT PART No.	CTS-IRC PART No.	MALLORY PART No.
RIA B	Tone Switch, Volume	50K 25K 6K Tap	2091258-4				

COILS (RF-IF)

ITEM No.	USE	REPLACEMENT DATA					NOTES
		BENDIX PART No.	MERIT PART No.	MILLER PART No.	STANCOR PART No.	WORKMAN PART No.	
L1	RF Choke (5uh)	2092210-3	SW-631	4609	RTC-8519	T837	① Part of M2
L2	Ant.	①					
L3	RF	①					
L4	Osc.	①					
L5	Input IF	2091217-6 ②					② Alternate Part # 2091217-7.
L6	Output IF	2091218-4 ③					③ Alternate Part # 2091218-6.
L7	"A" Lead Choke (240uh)	2092050-7					

CHOKE (AUDIO OUTPUT)

ITEM No.	INDUCTANCE	REPLACEMENT DATA					NOTES
		BENDIX PART No.	MERIT PART No.	STANCOR PART No.	THORDARSON PART No.	TRIAD PART No.	
L8	50mh	2092245-2					

FUSES

ITEM No.	TYPE	RATING	REPLACEMENT DATA					
			BENDIX PART No.		LITTELFUSE PART No.		BUSS PART No.	
			FUSE	HOLDER	FUSE	HOLDER	FUSE	HOLDER
M1	IAG	2A 32V	AGA-2	221633-21	301002	155004A	AGA2	HMF

MISCELLANEOUS

ITEM No.	PART NAME	BENDIX PART No.	NOTES
M2	Tuner	2092223-7	
M3	AVC Det	2092055-1	
M4	Audio Det	2092055-1	
M5	Spark Plate (200mmf)	220267-1	
M6	Spark Plate (200mmf)	220267-1	

CABINETS & CABINET PARTS

(When Ordering Specify Model, Chassis & Color)

ITEM	PART No.	ITEM	PART No.
Dial Glass	2092474-1	Knob, Tone or Dummy	2092235-1
Knob, Tuning or Volume	2091244-2		

WIRING DATA

General-use Unshielded Hook-up Wire	Use BELDEN No. 8530 (Solid) Available in 12 Colors 8524 (Stranded) Available in 12 Colors
Shielded Hook-up Wire	Use BELDEN No. 8885
Rear Seat Speaker Extension Cable	Use BELDEN No. 8782 (Stranded) Coded Parallel Leads
Bonding Strap	Use BELDEN No. 8661 (3/8 In.) or 8670 (3/4 In.)

VOLVO MODEL 3BN