



PHOTOFACT® with

CIRCUITRACE®



TRADE NAME : Volvo Model 6BVO (1966)
 SUPPLIER : For Current Address, See Annual Index.
 TYPE SET : 6 Transistor AM Receiver
 POWER SUPPLY : 12 Volt Storage Battery
 RATING : 1.2 Amp. @ 12.6 Volts DC
 TUNING RANGE : BROADCAST 540-1600KC

VOLVO MODEL 6BVO

ALIGNMENT INSTRUCTIONS

Check for specified source voltage.
 Use only enough generator output to provide a usable indication.

Suggested Alignment Tools:

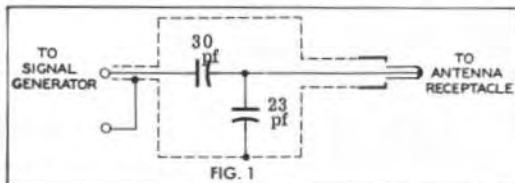
A1, A2. GENERAL CEMENT: 9296, 9297, 9300
 WALSCO: 2510, 2546, 2547
 A5 thru A7. GENERAL CEMENT: 9440
 WALSCO: 2501

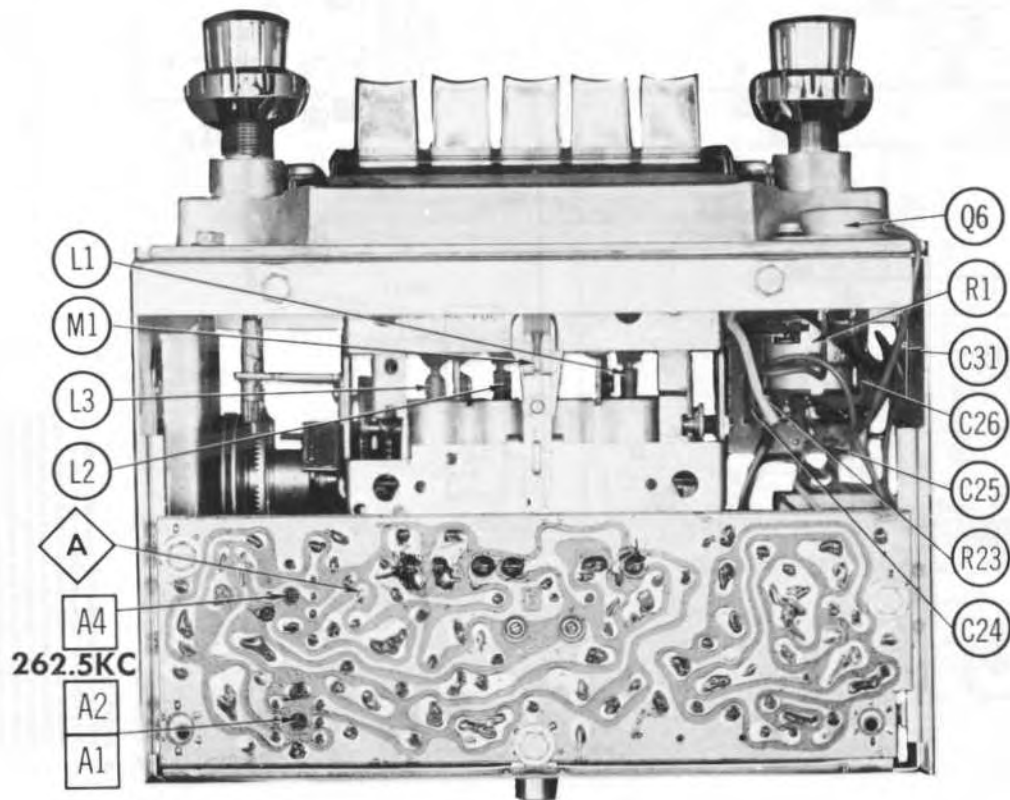
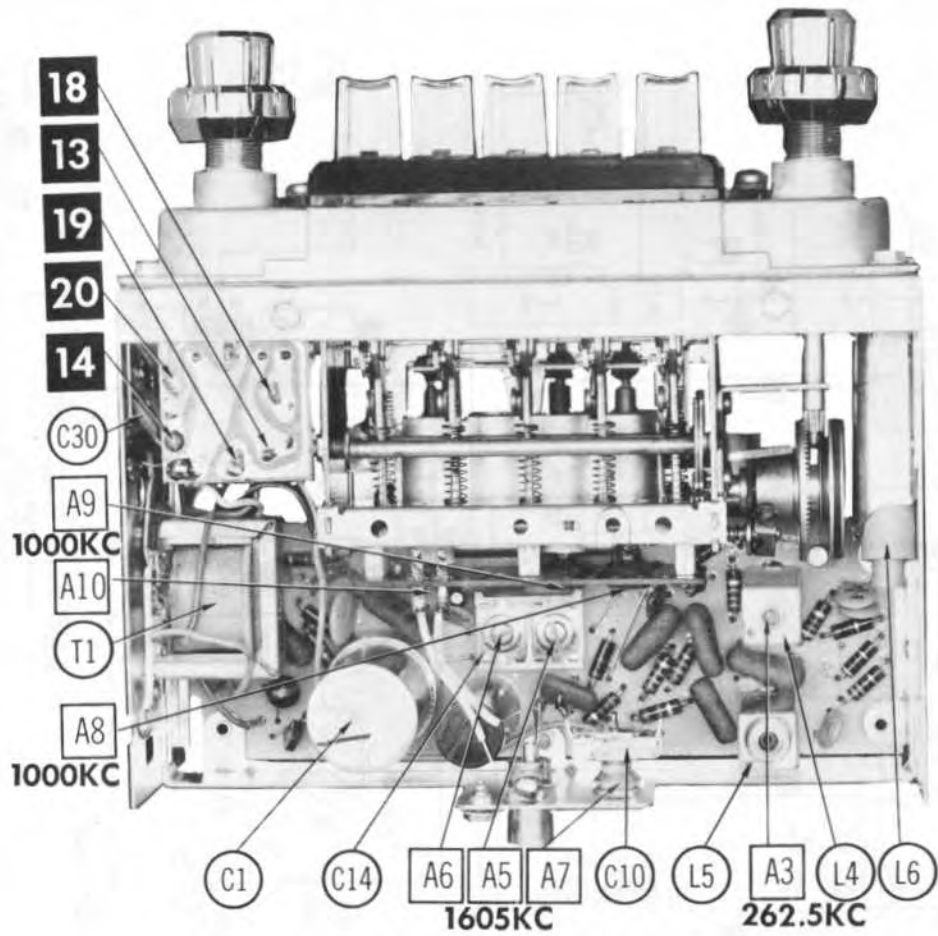
PUSH-BUTTON ADJUSTMENT

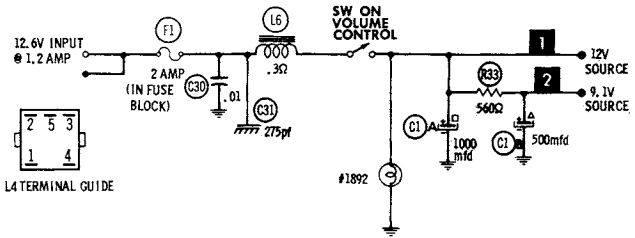
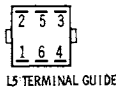
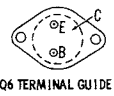
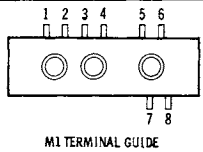
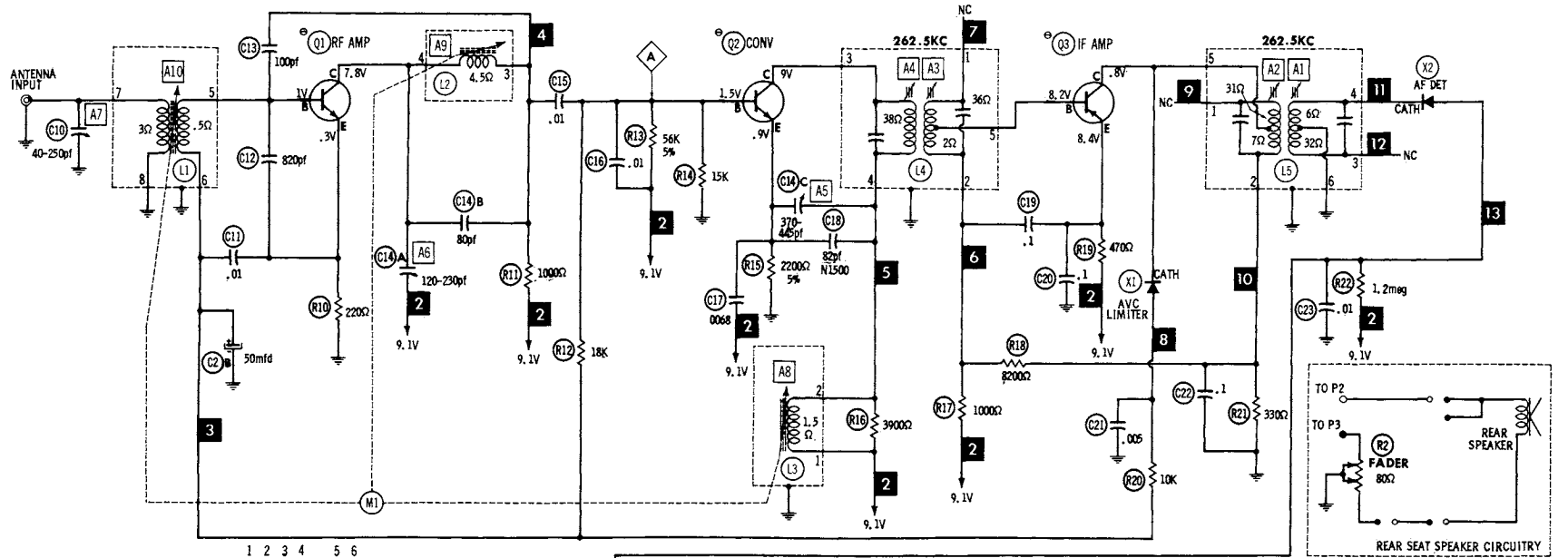
1. Pull button out.
2. Tune manually to desired station.
3. Press button in firmly.
4. Repeat for remaining buttons.

	SIGNAL GENERATOR COUPLING	SIGNAL GENERATOR FREQUENCY	RADIO DIAL SETTING	INDICATOR	ADJUST	REMARKS
1.	High side thru .1mfd to point A, low side to ground.	262.5KC (400v Mod.)	High Freq. End Stop.	Output Meter across voice coil.	A1, A2, A3, A4	Adjust for maximum.
2.	Thru dummy (Fig. 1) to antenna receptacle.	1605KC	"	"	A5, A6, A7	"
Step 3 is not necessary unless tuner has been tampered with or associated components have been replaced. IF necessary, back tuning cores (A8, A9, A10) out of coils but not out of forms. Repeat step 2.						
3.	Thru dummy (Fig. 1) to antenna receptacle.	1000KC	Tune to Signal.	Output Meter across voice coil.	A8, A9, A10	Adjust for maximum. Repeat steps 2 & 3 until no further improvement is noted.
With radio installed in car and antenna fully extended, tune in a weak station near 1600KC and adjust A7 for maximum output.						

Antenna Adjustment (A7) located center rear.







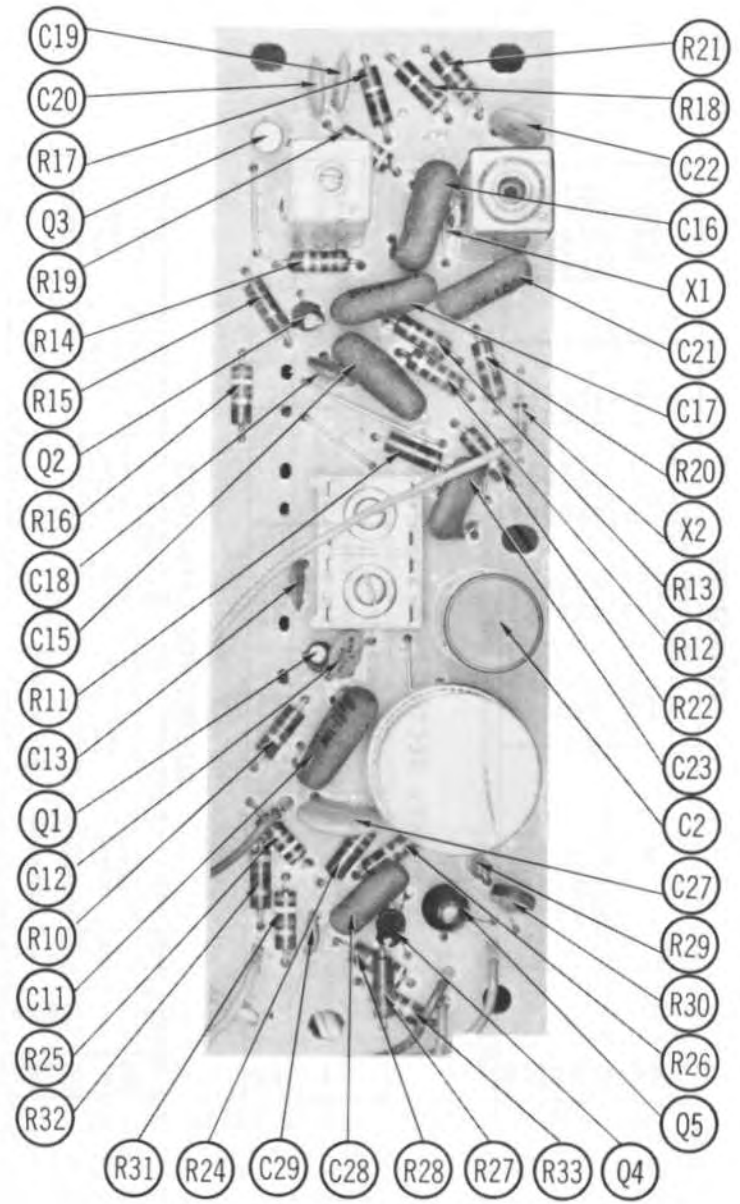
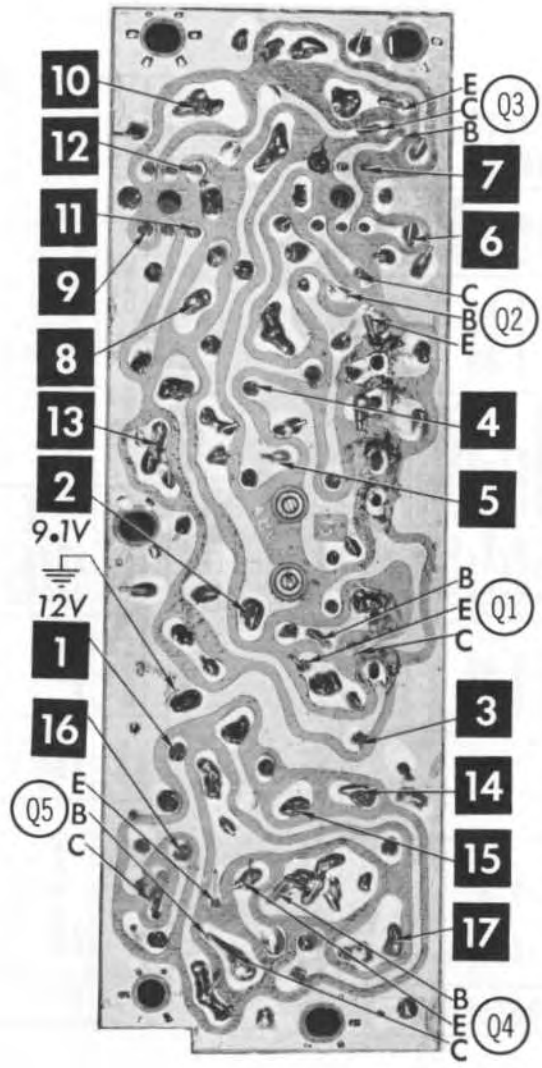
Resistors are 1/2 watt or less and rated 10% or 20% unless otherwise indicated.

NC No Connection.

- ⊖ See parts list
- 1. Voltage measurements taken with vacuum tube voltmeter.
- 2. All controls set for normal operation, no signal applied.
- 3. Measured values are from socket pin or terminal to common ground.
- 4. All terminals viewed from bottom unless otherwise designated.
- 5. Numbers assigned to terminals may not be found on the unit.
- 6. Supply voltage maintained at rated value for voltage readings.
- 7. Resistance measurements not given because of the wide variation in internal resistance of transistor.

A PHOTOFAC STANDARD NOTATION SCHEMATIC with CIRCUITRACE
© Howard W. Sams & Co., Inc. 1966

VOLVO MODEL 6BVO



PARTS LIST AND DESCRIPTION

(When ordering parts, state Model, Part Number, and Description.)

Replacement parts shown may be superseded by the availability of newly introduced replacements.
Have your local distributor check Sams COUNTER FACTS for the most up-to-date replacement.

TRANSISTORS

ITEM No.	ORIG. TYPE	USE	REPLACEMENT DATA			NOTES	BENDIX PART No.
			DELCO PART No.	GENERAL ELECTRIC PART No.	RCA PART No.		
Q1		RF Amp.	DS-75	GE-11	SK-3018	NPN	2093308-0701
Q2		Converter	DS-75	GE-11	SK-3018	NPN	2093308-0702
Q3		IF Amp.	DS-25	GE-9	SK-3008	PNP	2091241-0719
Q4		AF Amp.	DS-66	GE-10	SK-3020	NPN	2092609-0715
Q5		AF Amp.	DS-66	GE-10	SK-3020	NPN	2092609-0713
Q6		AF Output	DS-520	GE-3	SK-3009	PNP *	2091859-0723

* When replacing, apply silicone grease to both sides of insulator. Tighten mounting screws securely.

POWER RECTIFIERS & SIGNAL DIODES

ITEM No.	MEASURED CURRENT	ORIGINAL Part or Type No.	RECTIFIERS & DIODES		RECTIFIERS		
			GENERAL ELECTRIC PART No.	INTERNATIONAL RECTIFIER PART No.	MALLORY PART No.	RCA PART No.	SARKES TARZIAN PART No.
X1		2092055-0001	1N34AS	1N34A			
X2		2092055-0001	1N34AS	1N34A			

ELECTROLYTIC CAPACITORS

ITEM No.	RATING		BENDIX PART No.	REPLACEMENT DATA				
	CAP.	VOLT.		AEROVOX PART No.	CORNELL-DUBILIER PART No.	GENERAL ELECTRIC PART No.	MALLORY PART No.	SPRAGUE PART No.
C1A	1000	16	2091503-0714					PCL-2185.2
B	500	16						
C2A	1000	4	2092246-0705	BCD1.5-3100050			PET295	
B	50	4						

CAPACITORS

ITEM No.	RATING	REMARKS	REPLACEMENT DATA					
			AEROVOX PART No.	CENTRALAB PART No.	CORNELL-DUBILIER PART No.	ELMENCO PART No.	MALLORY PART No.	SPRAGUE PART No.
C10	40-250	#2091504-0007				464		
C11	.01 100V		DBE4S1	CPR-10000J	DMF2S1	4DP-1-103	PVC211	2TM-S10
C12	820		DI-820	DD-821	JBY601YP821K	CCD-821	GP382	10TS-T82
C13	100		NPO-DI100	DTZ-100	CV601CG101K	CCD-101	CN0310	10TCC-T10
C14A	120-230	#2092422-0712						
B	80							
C	370-445							
C15	.01 100V		DBE4S1	CPR-10000J	DMF2S1	4DP-1-103	PVC211	2TM-S10
C16	.01 100V		DBE4S1	CPR-10000J	DMF2S1	4DP-1-103	PVC211	2TM-S10
C17	.0068 100V		DBE6D68	CPR-6800J	DPMS6D68	6DP-1-682	PVC6268	6PS-D68
C18	82 N1500					*	*	
C19	.1		TTD-1	CK-104	HCZ3R0XR104P		TA010	TG-P10
C20	.1		TTD-1	CK-104	HCZ3R0XR104P		TA010	TG-P10
C21	.005 100V		DBE6D5	CPR-5000J	DPMS6D5	6DP-1-502	PVC625	6PS-D50
C22	.1		TTD-1	CK-104	HCZ3R0XR104P		TA010	TG-P10
C23	.01 25V		DBE4S1	CPR-10000J	DMF2S1	4DP-1-103	PVC211	2TM-S10
C24	.0068		DI-6800	DD-682	BYX601ZU103P	CCD-682	GP268	10TS-D68
C25	.2			UK10-204	HCZ3R0XR224P		MAG3022	
C26	.2			UK10-204	HCZ3R0XR224P		MAG3022	
C27	.2			UK10-204	HCZ3R0XR224P		MAG3022	
C28	.1 25V		DBE2P1		DMF2P1	2DP-3-104	PVC201	2PS-P10
C29	22		NPO-DI22	DTZ-22	CY601CG220K	CCTO-220	CN0422	10TCC-Q22
C30	.01		TTD-01	CK-103	HCZ3R0XR103P	CCD-103	TA110	TG-S10
C31	275	#2093050-0705						

* Not normally in distributor's stock. Available thru distributor on order to manufacturer.
Bendix Part Number

CONTROLS

All wattages 1/2 watt, or less, unless otherwise listed.

ITEM No.	USE	RESISTANCE	REPLACEMENT DATA					
			BENDIX PART No.	CENTRALAB PART No.	CLAROSTAT PART No.	CTS-IRC PART No.	MALLORY PART No.	
R1A	Tone	25K	2094545-0705	F2-25K,			† QJ-2242A	
B	Volume & Switch	25K Tap @ 3000Ω		R14-25K, FFS115, RFS207, AK38, KR-7				
	Fader							

† "CONCENTRIKIT" Equivalent: K8 Kit with Base Elements and Shafts:
B13-120, P17-123 (Panel), B19-119X, R9-202 (Rear),
R-5 (Tab Mount), 76-1 (Switch)
"SNAPTROL" Equivalent: BU7, CF11, CR50T, SF13, SR48, GC

PARTS LIST AND DESCRIPTION (CONTINUED)

(When ordering parts, state Model, Part Number, and Description.)

Replacement parts shown may be superseded by the availability of newly introduced replacements.
Have your local distributor check Sams COUNTER FACTS for the most up-to-date replacement.

RESISTORS (Power and Special)

ITEM No.	RATING	REPLACEMENT DATA			ITEM No.	RATING	REPLACEMENT DATA		
		IRC PART No.	WORKMAN PART No.	BENDIX PART No.			IRC PART No.	WORKMAN PART No.	BENDIX PART No.
R30	100Ω (Cold) Thermistor			220629-12					

COILS (RF-IF)

ITEM No.	USE	REPLACEMENT DATA				
		BENDIX PART No.	MEISSNER Part No.	MERIT PART No.	MILLER PART No.	WORKMAN PART No.
L1	Antenna	①				
L2	RF	①				
L3	Oscillator	①				
L4	Input IF	2094080-0701				
L5	Output IF	2094080-0702			8006	

① Part of M1, Part #2090131-0094.

FILTER CHOKE

ITEM No.	RATINGS		REPLACEMENT DATA						NOTES
	CURRENT (Measured)	DC RES.	INDUCTANCE (0 CURRENT 1000~)	BENDIX PART No.	MERIT PART No.	STANCOR PART No.	THORDARSON PART No.	TRIAD PART No.	
L6	1.2A DC	.3Ω	140MH	2092050-0725					

TRANSFORMER (AUDIO OUTPUT)

ITEM No.	IMPEDANCE		REPLACEMENT DATA					NOTES
			BENDIX PART No.	MERIT PART No.	STANCOR PART No.	THORDARSON PART No.	TRIAD PART No.	
	PRI.	SEC.						
T1	17Ω Tap	@ 8Ω	2092245-0707					

SPEAKER

ITEM No.	TYPE			REPLACEMENT DATA			NOTES
				BENDIX PART No.	JENSEN PART No.	QUAM PART No.	
SP1	5" x 7"	PM	8Ω	2094859-0701	P5X7V8	57A15Z8	

FUSE DEVICES

ITEM No.	TYPE	RATING	REPLACEMENT DATA						
			PART No.		LITTELFUSE PART No.		BUSS PART No.		
			FUSE	HOLDER	FUSE	HOLDER	FUSE	HOLDER	
F1	AGA 2	2 Amp. 32V	2091811-0007	In Fuse Block	301002			AGA 2	

MISCELLANEOUS

ITEM No.	PART NAME	BENDIX PART No.	NOTES
M1	Tuner Coil Assembly	2094086-0505 2090131-0094	

CABINETS & CABINET PARTS

(When Ordering Specify Model, Chassis & Color)

ITEM	PART No.	ITEM	PART No.
Escutcheon	2094551-0502	Knob-Tuning or Volume	2091420-0502
Dial Pointer	2090129-0078	Knob-Tone or Dummy	2094480-0001
Pushbutton	2056519-0001	Dial Scale	2094767-0001

WIRING DATA

General-use Unshielded Hook-up Wire	Use BELDEN No. 8530 (Solid) Available in 12 Colors 8524 (Stranded) Available in 12 Colors
Shielded Hook-up Wire	Use BELDEN No. 8885
Rear Seat Speaker Extension Cable	Use BELDEN No. 8782 (Stranded) Coded Parallel Leads
Bonding Strap	Use BELDEN No. 8661 (3/8 In.) or 8670 (3/4 In.)

VOLVO MODEL 68V0